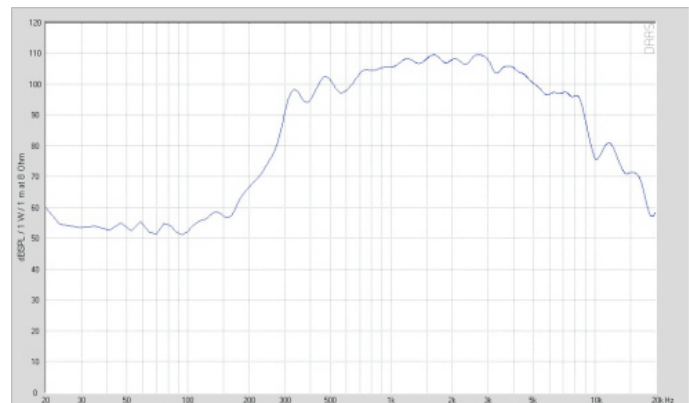
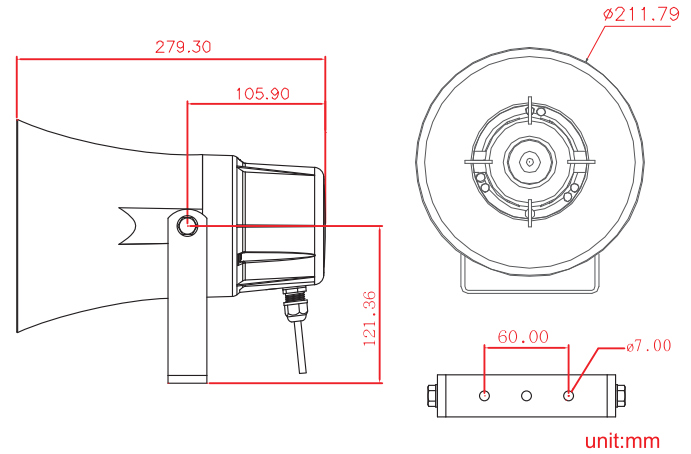


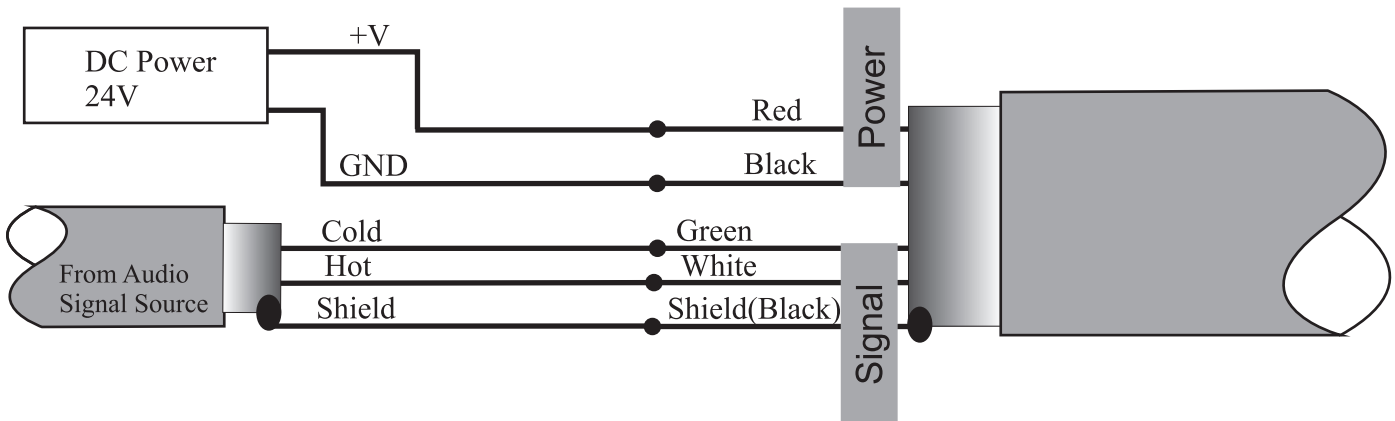
40W Active Plastic Horn Speaker w/Microphone



SPECIFICATIONS

Model No.	SMIC-81H24V
Driver Specification	
Impedence	4 ohm
S.P.L(at 1W/1M)	108dB
Maximum Acoustic Pressure	128dB
Frequency Response(-20dB)	350~8K hz
Dispersion 1KHz / 4KHz	120° / 30°
Ambient Temperature	-10°C~ +55°C
Specification	
Signal Input Level	-20dBV ~ +4dBV
Amplifier Watt.	40W
Voltage Range	12V ~ 24V DC
Volume Adjustment	Internal Volume Control
Microphone	Omni-directional
Cable	Length: 1M (5 Cores)
Dimension	212 (Dia)x 280 (L)mm
Material	Housing: High impact ABS with UV inhibitors
Color	Light Grey (RAL 7035)
Weight	1.85Kg
Mounting	U Type Bracket(Stainless Steel)

Typical wiring for balanced audio sources (2wires + shield)



Typical wiring for unbalanced audio sources (1wires + shield)

